

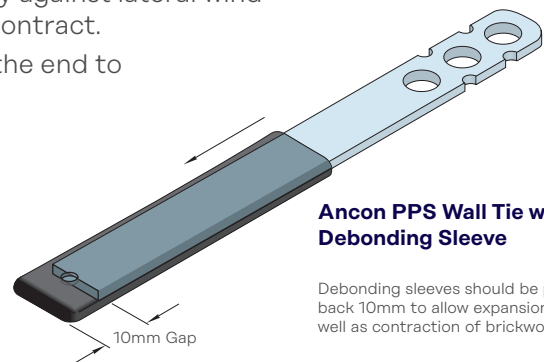
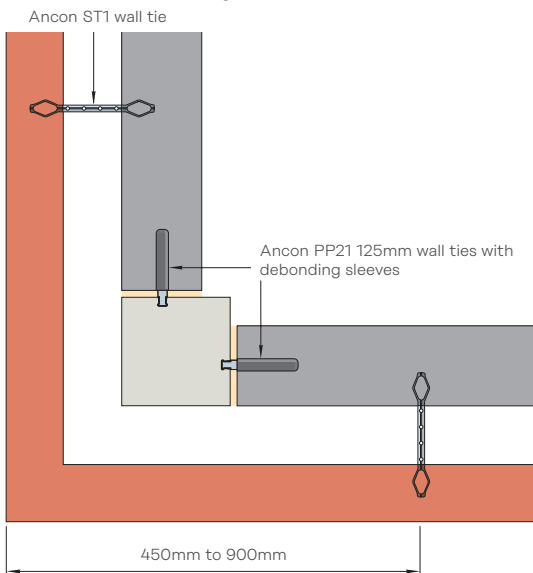
Installation Guide

Wall Ties at Vertical Movement Joints

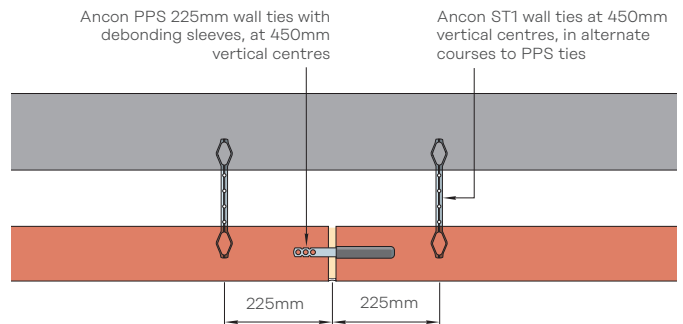
Debonding sleeves are used on plain-ended wall ties, like the Ancon PP21 or PPB, at vertical movement joints. The tie will restrain the masonry against lateral wind loads whilst the sleeve will allow the masonry to expand or contract.

Debonding sleeves should be installed with a 10mm gap at the end to allow for expansion of the masonry.

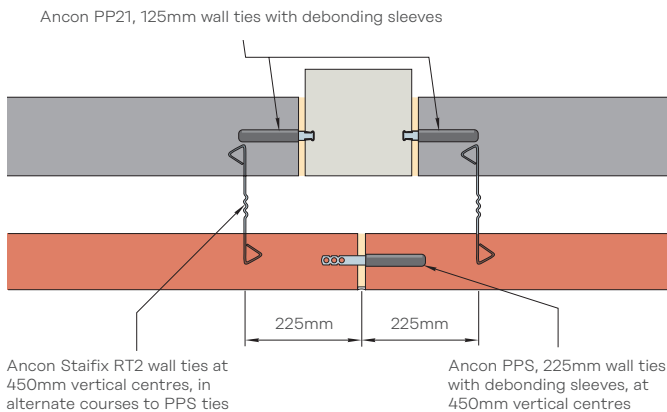
External Corner with Fully Bonded Brickwork



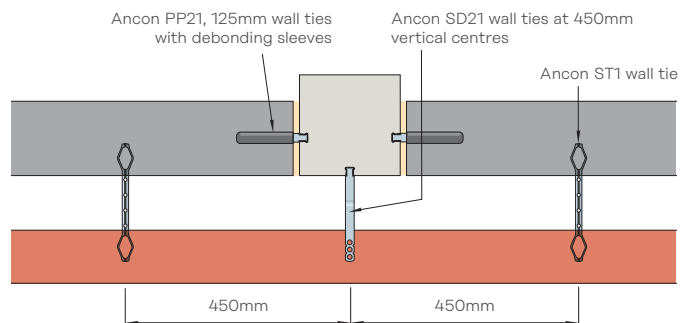
Cavity Wall with Vertical Movement Joint in Brickwork



Intermediate Column with Vertical Movement Joints in both Brickwork and Blockwork



Intermediate Column with Vertical Movement Joints in Blockwork



Note: All spacings are maximums. The type of cavity wall tie and spacing will be determined by the cavity width, height of brickwork, wind loading and type of building.

The Construction applications and details provided in this guide are indicative only. In every case installation should be entrusted to appropriately qualified and experienced persons. Normal handling precautions should be taken to avoid physical injury. The company cannot be held responsible for any injury as a result of using our products, unless such injury arises as a result of our negligence. © Protected by copyright