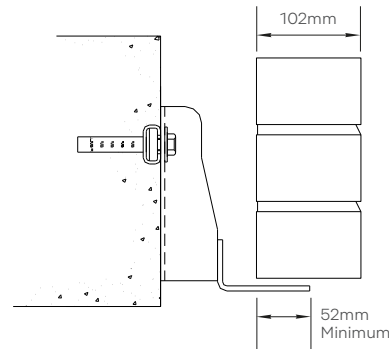


Installation Guide

Ancon Extension Plates

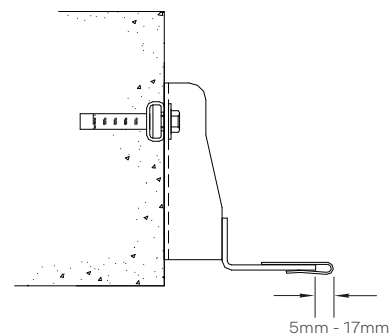
As an alternative to shims, Ancon Extension Plates can sometimes be used to increase the bearing for the brickwork. Ancon Extension Plates are designed to be used with Ancon Brickwork Support Systems. The particular application should be agreed with Leviat's Technical Department to ensure that the system and extension plates are both suitable.

Ancon Extension Plates are an alternative to shims, they will not normally be used in conjunction with shims unless this has been agreed with our Technical Department.



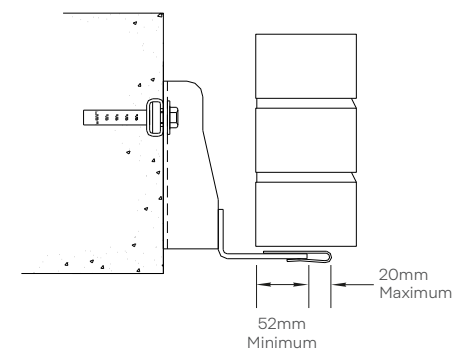
Support Leg

The support leg of the angle must provide a minimum of 52mm bearing for standard single skin brickwork for the entire length of the support. Without this bearing the brickwork may become unstable. This must be checked before work proceeds.



Extension Plates

The Ancon Extension Plates are pushed onto the leg of the angle with the flat surface on top. They are adjusted until the required amount of extension is achieved, this will be from 5mm to 17mm. The brickwork can now be built on the support with Ancon Extension Plates. The plates can provide extra bearing but they should not extend more than 20mm from the front of the angle. Ancon Extension plates are usually 400mm long and fixed with a nominal gap between the plates of approximately 10mm.



Safety Precautions

Ancon stainless steel products are produced from laser-cut plate. As with all such industrial fabrications, these may present sharp edges. **Suitable personal protective equipment should be worn at all times during handling and installation.**

The Construction applications and details provided in this guide are indicative only. In every case installation should be entrusted to appropriately qualified and experienced persons. Normal handling precautions should be taken to avoid physical injury. The company cannot be held responsible for any injury as a result of using our products, unless such injury arises as a result of our negligence. © Protected by copyright